

Produal Proxima® ETT - extra time timer



Produal Proxima® ETT extra time timers are designed for energy saving and boosting functions in ventilation and lighting applications. The timer functions can be used for example in office applications, if enhanced ventilation is needed outside the normal working hours. With the timer, you can also limit for example supply voltage for certain devices (e.g. coffee machine).

The timer maximum time can be limited by DIP switches.

The timer is activated by pushing the button. Each push increases the timer time by one step. The selected time is indicated by green indicator light above the button.

Technical specifications

Property	Value
Supply	24 Vac/dc (22...26 V) or 230 Vac (207...253 V)
Power consumption	< 1,2 VA
Outputs	Change over contact, 250 Vac / 10 A
Timer time steps	
ETT1, ETT1B	10 / 20 / 30 / 40 / 50 / 60 minutes
ETT6, ETT6B	1 / 2 / 3 / 4 / 5 / 6 hours
ETT12, ETT12B	2 / 4 / 6 / 8 / 10 / 12 hours
Timer accuracy	±10 s/h
Timer indicators	6 green indicator lights for time indication, one green indicator light for timer and relay status
Operating conditions	
Temperature	0...50 °C
Humidity	5...95 %rH (non-condensing)
Storage temperature	-20...70 °C
Wiring terminals	1,5 mm ² , screw terminals
Electrical safety class	class II
Housing	
Material	PC plastic
Colour	White (RAL 9016) or black (RAL 9011)
Protection class	IP20
Mounting	on the wall surface or on the standard flush mounting box (60 mm hole distance)

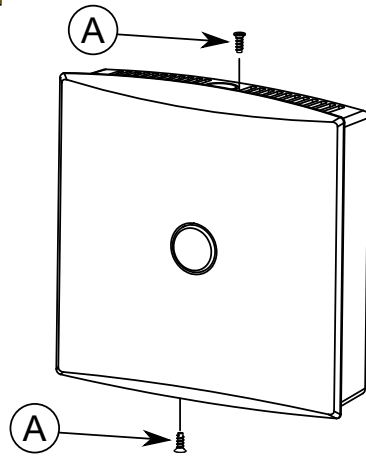
Property	Value
Dimensions (w x h x d)	97 x 97 x 27 mm
Weight	118 g

Wiring

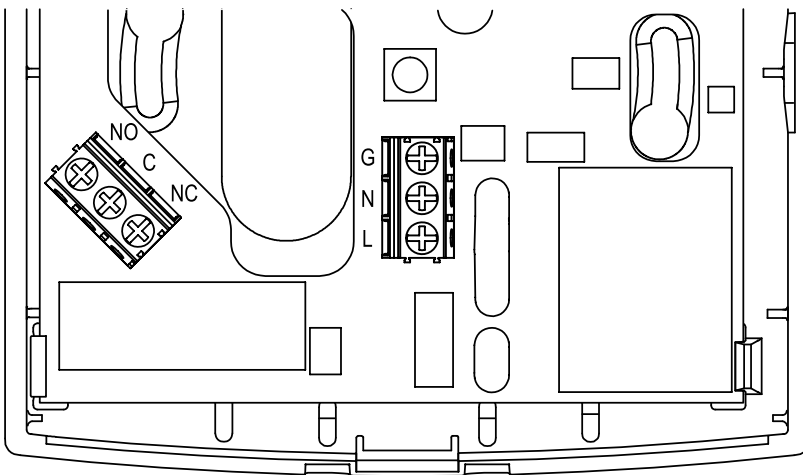
CAUTION: Device wiring and commissioning can only be carried out by qualified professionals. Always make the wirings while the power is switched off.

CAUTION: There is a hazardous voltage inside the device. Don't remove the cover when voltage is connected.

CAUTION: Fit the cover fixing screws after the wiring is complete.



A. Cover fixing screw



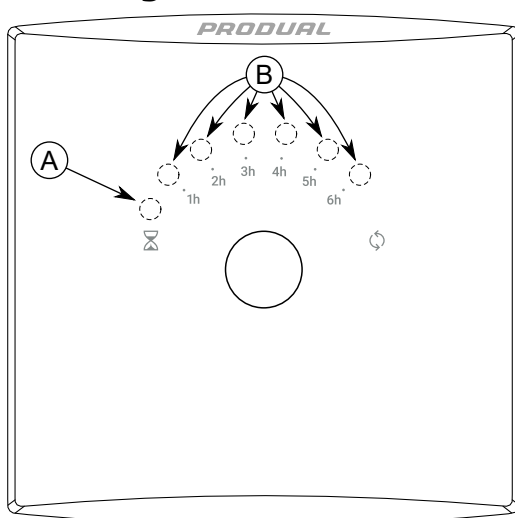
G	24 Vac/dc supply	CAUTION: Don't connect both supply voltages at the same time. The unused supply voltage connector must be left unconnected.
N	0 V	
L	230 Vac supply	
NO	Relay connectors, 250 Vac / 10 A	Important: When the relay output is used with 230 Vac voltage, the output must be equipped with a time-lag fuse (max 10 A) that is in accordance with the standard IEC 60127-2.
C		
NC		

Ordering information

Type	Product number	Description
 ETT1	560011W000	Extra time timer, white, 10...60 min
 ETT1B	560011B000	Extra time timer, black, 10...60 min
 ETT6	560012W000	Extra time timer, white, 1...6 h
 ETT6B	560012B000	Extra time timer, black, 1...6 h
 ETT12	560013W000	Extra time timer, white, 2...12 h
 ETT12B	560013B000	Extra time timer, black, 2...12 h

Using the device

Indicator lights



- A. Timer status indicator light
- B. Time indicator lights

Timer status indicator light turns on and off gradually when the timer is on and the relay is engaged.

Time indicator lights show the remaining time in the timer. The light brightness decreases when half of the current time step has elapsed.

Activating and adjusting the timer

- Press the button repeatedly until the wanted time is selected.
The indicator light indicates the selected time.

NOTE: If the timer is on, the button press increases the time by one step.

The timer starts and the relay engages 3 seconds after the time is selected.

Turning off the timer


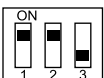




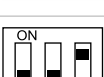
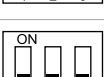
The timer can be turned off at any time.

- Press the button for three seconds or press the button repeatedly until all time indicator lights turn off.

The relay disengages 3 seconds after the time indicator lights are off.

Limiting the maximum timer time

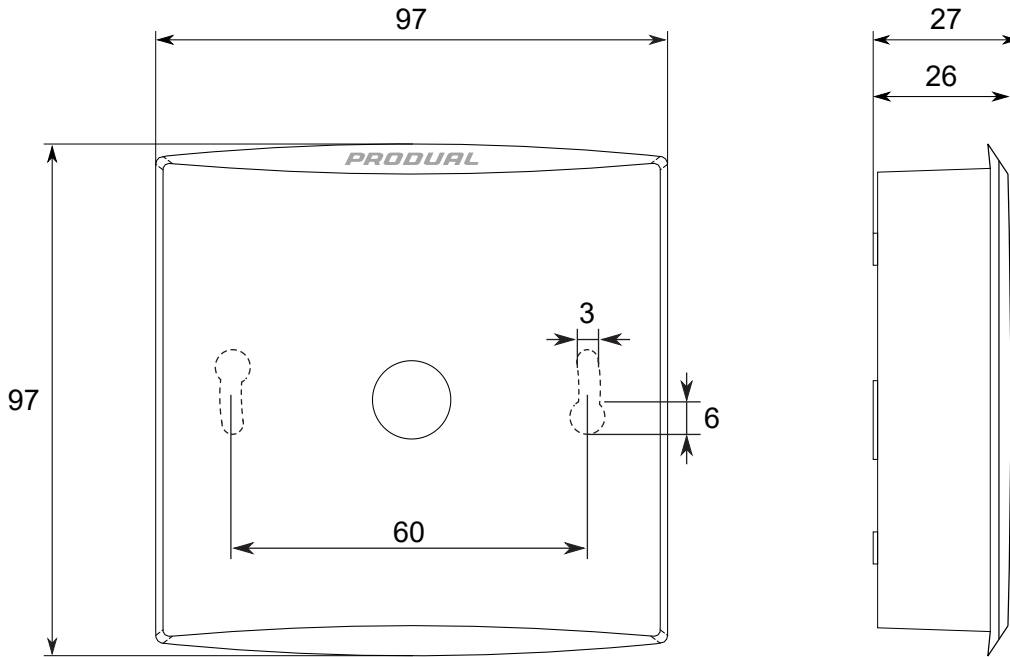
1. Open the cover.
2. Set the time limit with the DIP switches.

	Maximum timer time		
	ETT1	ETT6	ETT12
 *)	60 minutes	6 hours	12 hours
	50 minutes	5 hours	10 hours
	40 minutes	4 hours	8 hours
	30 minutes	3 hours	6 hours
	20 minutes	2 hours	4 hours
	10 minutes	1 hour	2 hours
	Illegal time setting. Two timer status indicator lights flash.		
			

*) factory setting

3. Close the cover.

Dimensions



Supported standards and directives

Standard	Description
2014/30/EU	Electromagnetic Compatibility (EMC).
2014/35/EU	Low Voltage Directive (LVD)
2011/65/EU	Restriction of Hazardous Substances (RoHS2) Directive.
EN 61000-4-2:2009	Electromagnetic compatibility (EMC). Testing and measuring techniques - Electrostatic discharge immunity test.
EN 61000-4-3:2006/ AMD1:2007+AMD2:2010	Electromagnetic compatibility (EMC). Testing and measurement techniques - Radiated, radio-frequency, electromagnetic field immunity test.
EN 61000-4-4:2012	Electromagnetic compatibility (EMC). Testing and measurement techniques - Electrical fast transient/burst immunity test.
EN 61000-4-5:2014/ AMD1:2017	Electromagnetic compatibility (EMC). Testing and measurement techniques - Surge immunity test.
EN 61000-4-6:2014	Electromagnetic compatibility (EMC). Testing and measurement techniques. Immunity to conducted disturbances, induced by radio-frequency fields.
EN 61000-4-11:2004/ AMD1:2017	Electromagnetic compatibility (EMC). Testing and measurement techniques. Voltage dips, short interruptions and voltage variations immunity tests.
CISPR 14-1:2016	Electromagnetic compatibility (EMC) - Requirements for household appliances, electric tools and similar apparatus - Part 1: Emission